

STRUCTAS CASSETTE FLOORING

FOR LARGE TENTS



High load bearing capacity, simple handling and efficiency.

STRUCTAS flooring system has been developed for high demands required by today's tent flooring systems.

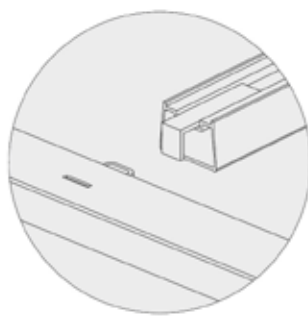
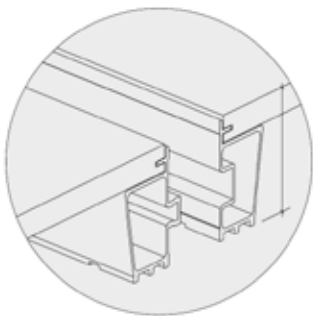
The excellent fit of the individual elements and small number of components make our system cassette flooring quick and easy to install, creating a good visual impression.



TECHNOLOGY

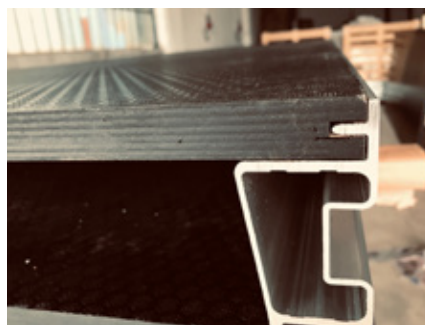
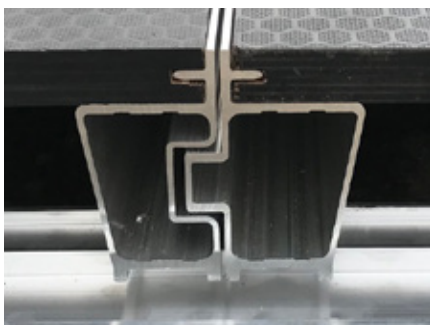
The well conceived system technology makes handling particularly easy.

- Trouble-free transport, storage and maintenance
- Can be extended for annexes and multiple-corner units
- Can be installed quickly and easily
- Flooring system also suitable for subsequent installation
- Floor cassettes stackable (20 pieces/stacking height 1.88 m) for safe transport and efficient storage
- Plywood thickness 18mm



Six types from 9m² to 25m²

	TYPE I	TYPE II	4x4
SIZES (cm)	100 x 249	100 x 199	100 x 99
BOARD THICKNESS (mm)	18	18	18
WEIGHT kg/m ²	18	18	18



NOTE: Subject to alterations in the interest of product improvement in line with state-of-the-art technology progress